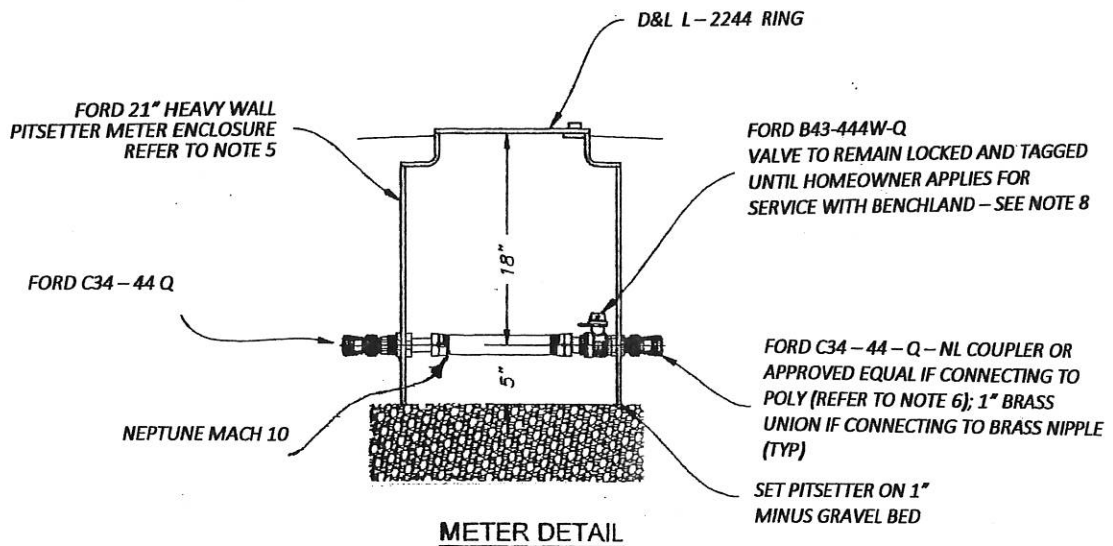


PROFILE



METER DETAIL

NOTES

1. EQUIVALENT SADDLES ALLOWED WITH DISTRICT ENGINEER APPROVAL. CONSULT DISTRICT ENGINEER FOR MAINLINE PIPE SIZES GREATER THAN 12" OR FOR MAINLINE PIPE MATERIAL OTHER THAN C900 PVC. HOT TAPPING NOT ALLOWED.
2. METER & ENCLOSURE SHALL BE LOCATED BEHIND CURB WITHIN STREET R.O.W. OR PUBLIC UTILITY EASEMENT IF NO CURB OR GUTTER EXISTS.
3. VALVE & METER ENCLOSURE LIDS SHALL BE STAMPED "BENCHLAND".
4. VALVE BOX MARKERS TO BE PAINTED PURPLE AND MUST BE SET ADJACENT TO EVERY VALVE & METER BOX.
5. METER ENCLOSURE TO BE 21" FORD HEAVY WALL PITSETTER WITH NO LID AND OPEN BOTTOM..
6. ALL COMPRESSION – TYPE CONNECTIONS REQUIRE STAINLESS STEEL INSERT STIFFENERS. THE TUBING SHOULD BE INSERTED INTO THE FITTING SO THAT THE END OF THE TUBING IS WELL PAST THE RUBBER GASKET AND AT LEAS 1/8" FROM THE BOTTOM OF THE SOCKET.
7. ALL WORK SHALL BE INSPECTED & APPROVED BY DISTRICT INSPECTOR PRIOR TO BACKFILL. ALL INSPECTIONS SHALL BE COORDINATED 48 HOURS IN ADVANCE.
8. UPON ACCEPTANCE, INSPECTOR WILL CLOSE VALVE AND LOCK AND TAG THE SERVICE. NEW RESIDENTIAL HOMEOWNER WILL BE REQUIRED TO APPLY FOR SERVICE.

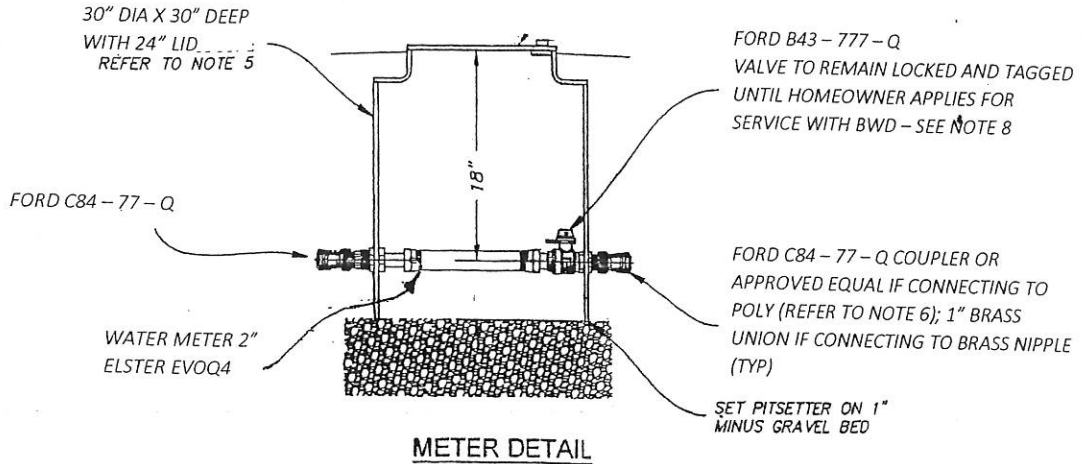
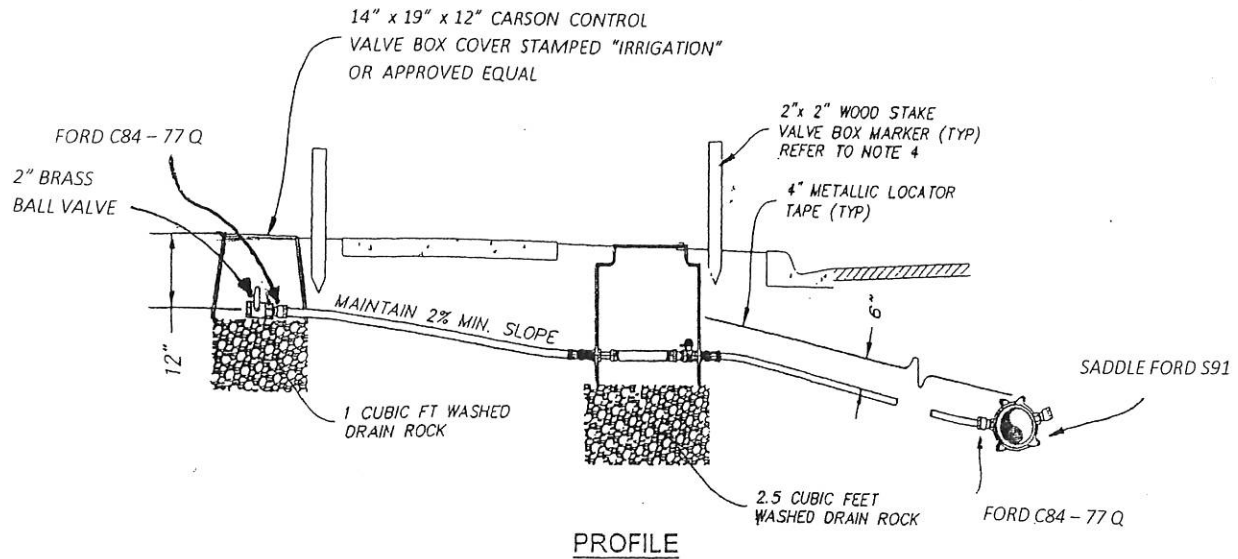


485 East Shepard Lane
Kaysville, Utah 84037
(801) 451-2105

**SECONDARY WATER
1" METERED SERVICE
CONNECTION**

STANDARD DRAWING

ISSUE DATE 02/2021



NOTES

1. EQUIVALENT SADDLES ALLOWED WITH DISTRICT ENGINEER APPROVAL. CONSULT DISTRICT ENGINEER FOR MAINLINE PIPE SIZES GREATER THAN 12" OR FOR MAINLINE PIPE MATERIAL OTHER THAN C900 PVC. HOT TAPPING NOT ALLOWED.
2. METER & ENCLOSURE SHALL BE LOCATED BEHIND CURB WITHIN STREET R.O.W. OR PUBLIC UTILITY EASEMENT IF NO CURB OR GUTTER EXISTS.
3. VALVE ENCLOSURE LIDS SHALL BE STAMPED "BENCHLAND".
4. VALVE BOX MARKERS TO BE PAINTED PURPLE AND MUST BE SET ADJACENT TO EVERY VALVE & METER BOX.
5. ENSURE VALVE CONTROL NUT CAN BE SERVICED BY WRENCH WHEN POSITIONING UNDER ENCLOSURE LID.
6. ALL COMPRESSION - TYPE CONNECTIONS REQUIRE STAINLESS STEEL INSERT STIFFENERS. THE TUBING SHOULD BE INSERTED INTO THE FITTING SO THAT THE END OF THE TUBING IS WELL PAST THE RUBBER GASKET AND AT LEAS 1/8" FROM THE BOTTOM OF THE SOCKET.
7. ALL WORK SHALL BE INSPECTED & APPROVED BY DISTRICT INSPECTOR PRIOR TO BACKFILL. ALL INSPECTIONS SHALL BE COORDINATED 48 HOURS IN ADVANCE.
8. UPON ACCEPTANCE, INSPECTOR WILL CLOSE VALVE AND LOCK AND TAG THE SERVICE. NEW RESIDENTIAL HOMEOWNER WILL BE REQUIRED TO APPLY FOR SERVICE.



485 East Shepard Lane
Kaysville, Utah 84037
(801) 451-2105

SECONDARY WATER 2 METERED SERVICE CONNECTION

STANDARD DRAWING

ISSUE DATE 02/2021